

AutoCAD 2008: One Step at a Time *Lesson 27: Other Application Files and AutoCAD*

08R27

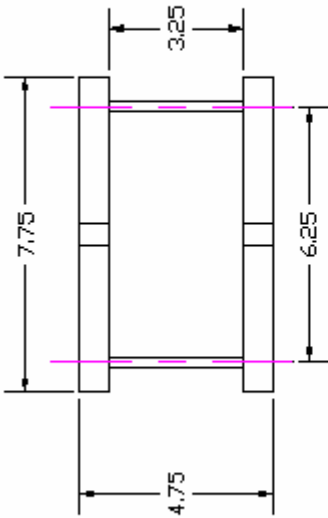
Exercises

1. Open the *Wine Rack.dwg* file in the C:\Steps\Lesson27 folder. Create the layout shown on the next page. Use the following to guide your setup:
 - 1.1. Set up to plot on a B-size (17x11) sheet of paper.
 - 1.2. Use the *ANSI B Title Block.dwg* file in the \Template folder as your border/title block.
 - 1.3. Use the *title info27.dwg* file to insert data into the title block.
 - 1.4. The photograph is *winerack.tif* and can be found in the C:\Steps\Lesson27 folder.
 - 1.5. Embed the BOM using the *Winerack.xls* Excel file.
 - 1.6. The logo in the title block is *logo.jpg* and can be found in the C:\Steps\Lesson27 folder.
 - 1.7. Complete the layout and dimension the viewports as indicated.
 - 1.8. Save the drawing as *MyWineRack.dwg* in the C:\Steps\Lesson27 folder.

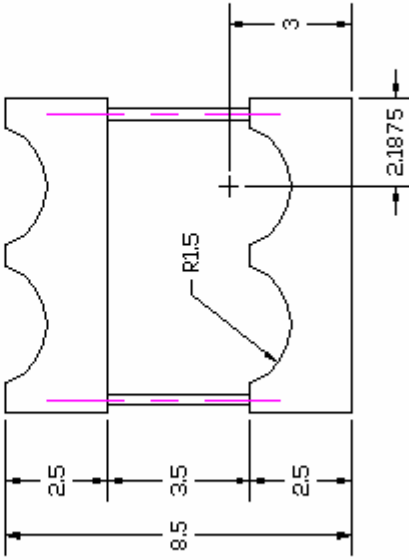
2. Open the *Jewelry Box.dwg* file in the C:\Steps\Lesson27 folder. Create the layout shown (second page following). Use the following to guide your setup:
 - 2.1. Set up to plot on a B-size (17x11) sheet of paper.
 - 2.2. Use the *ANSI B Title Block.dwg* file in the \Template folder as your border/title block.
 - 2.3. Use the *title info27.dwg* file to insert data into the title block.
 - 2.4. The photograph is *jewelry box.tif* and can be found in the C:\Steps\Lesson27 folder.
 - 2.5. Embed the BOM using the *JBox.xls* Excel file.
 - 2.6. The logo in the title block is *logo-mini.jpg* and can be found in the C:\Steps\Lesson27 folder.
 - 2.7. Complete the layout and dimension the viewports as indicated.
 - 2.8. Save the drawing as *MyJewelryBox.dwg* in the C:\Steps\Lesson27 folder.

3. Open the *Chest.dwg* file in the C:\Steps\Lesson27 folder. Create the layout shown (third page following). Use the following to guide your setup:
 - 3.1. Set up to plot on a C-size (22x17) sheet of paper.
 - 3.2. Use the *ANSI C Title Block.dwg* file in the \Template folder as your border/title block.
 - 3.3. Use the *title info27.dwg* file to insert data into the title block.
 - 3.4. The photograph is *oak chest.tif* and can be found in the C:\Steps\Lesson27 folder.
 - 3.5. The logo in the title block is *logo-mini.jpg* and can be found in the C:\Steps\Lesson27 folder.
 - 3.6. Complete the layout and dimension the viewports as indicated.
 - 3.7. Save the drawing as *MyOakChest.dwg* in the C:\Steps\Lesson27 folder.

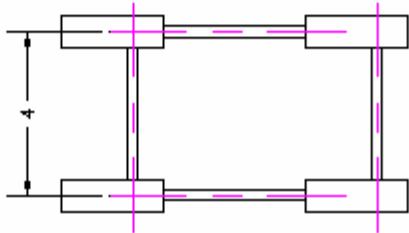
ZONE	REV	DESCRIPTION	DATE	APPROVED
		REVISION		




Top View



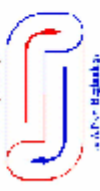
Front View



Side View



Bill of Materials				
Part	Qty	Material	Stock	L
A	4	Pine	1x8	7.75
B	4	Dovetail	1/4"	3.5
C	4	Dovetail	1/4"	3.25



U. QuitWining
Image Practice
Simple Wine Rack

SIZE	FORM NO.	DWG NO.	REV
B	543765	B-1571	0

Wine Rack

ZONE	REV	DESCRIPTION	DATE	APPROVED
		REVISION		

Front View - Lid
 Dimensions: $1\frac{1}{2}"$ (width), $6\frac{3}{8}"$ (length), 135° (angle), $\frac{1}{4}"$ (thickness), $1\frac{1}{16}"$ (offset), $1\frac{1}{4}"$ (width), $1"$ (width), $2\frac{3}{16}"$ (width), $2\frac{3}{8}"$ (width), $9"$ (length), $3\frac{1}{2}"$ (width), $6"$ (length).

Bottom View - Lid
 Dimensions: $1\frac{1}{16}"$ (width), $1\frac{1}{8}"$ (width), $2\frac{1}{4}"$ (width), $2\frac{3}{8}"$ (width), $9"$ (length), $3\frac{1}{2}"$ (width), $6"$ (length).

End View - Lid
 Dimensions: 135° (angle), $5\frac{1}{2}"$ (width).

Jewelry Box

Top View - Box
 Dimensions: $1\frac{1}{16}"$ (width), $1\frac{1}{8}"$ (width), $2\frac{1}{4}"$ (width), $2\frac{3}{8}"$ (width), $9"$ (length), $3\frac{1}{2}"$ (width), $6"$ (length).

End View - Box
 Dimensions: $5\frac{1}{2}"$ (width).

Front View - Box
 Dimensions: $8\frac{1}{2}"$ (width), $1\frac{3}{4}"$ (width), $2"$ (width).

Bill of Materials

Part	Material	Qty	Stock	Length
Front/Back	Maple	2	1/2x2	9"
Side	Maple	2	1/2x2	5 1/2"
Bottom	Maple	1	1/8x5 1/2	8 1/2"
Lid	Maple	1	1/2x6 1/2	9 1/2"
divider	Pine	1	1/8x13/4	7 15/16"
divider	Pine	2	1/8x13/4	3 5/16"
divider	Pine	1	1/8x13/5	3 1/8"

Sykes Learning Tree
 Imaging Practice
 Jewelry Box

SIZE	FORM NO.	DWG NO.	REV
E	54-5898	B-1582	0

D. Anderson SHEET 1

One Step at a Time

Jewelry Box

DATE	REV	COMMENTS	DATE	REV	COMMENTS
------	-----	----------	------	-----	----------

Top View - Lid

Front View - Lid

Side View - Lid

Product

Top View - Box

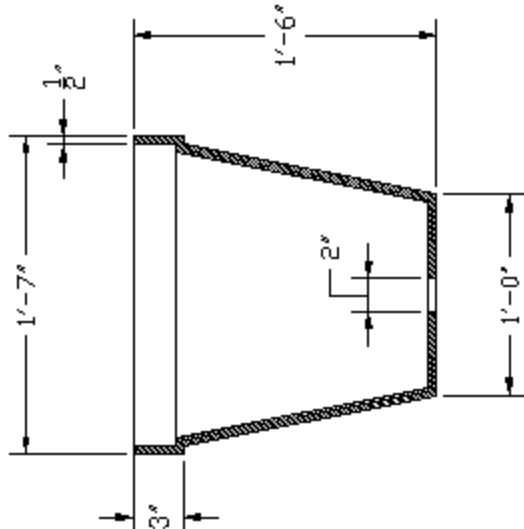
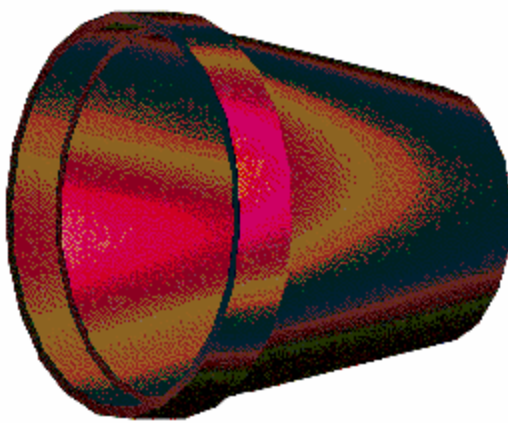
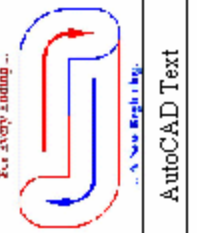
Front View - Box

Side View - Box

	Sykes Learning Tree Imaging Practice Oak Chest
Author: A.D. Ford One Step at a Time	Date: 11/14/08 Rev: 1.0 C: 1.0/03

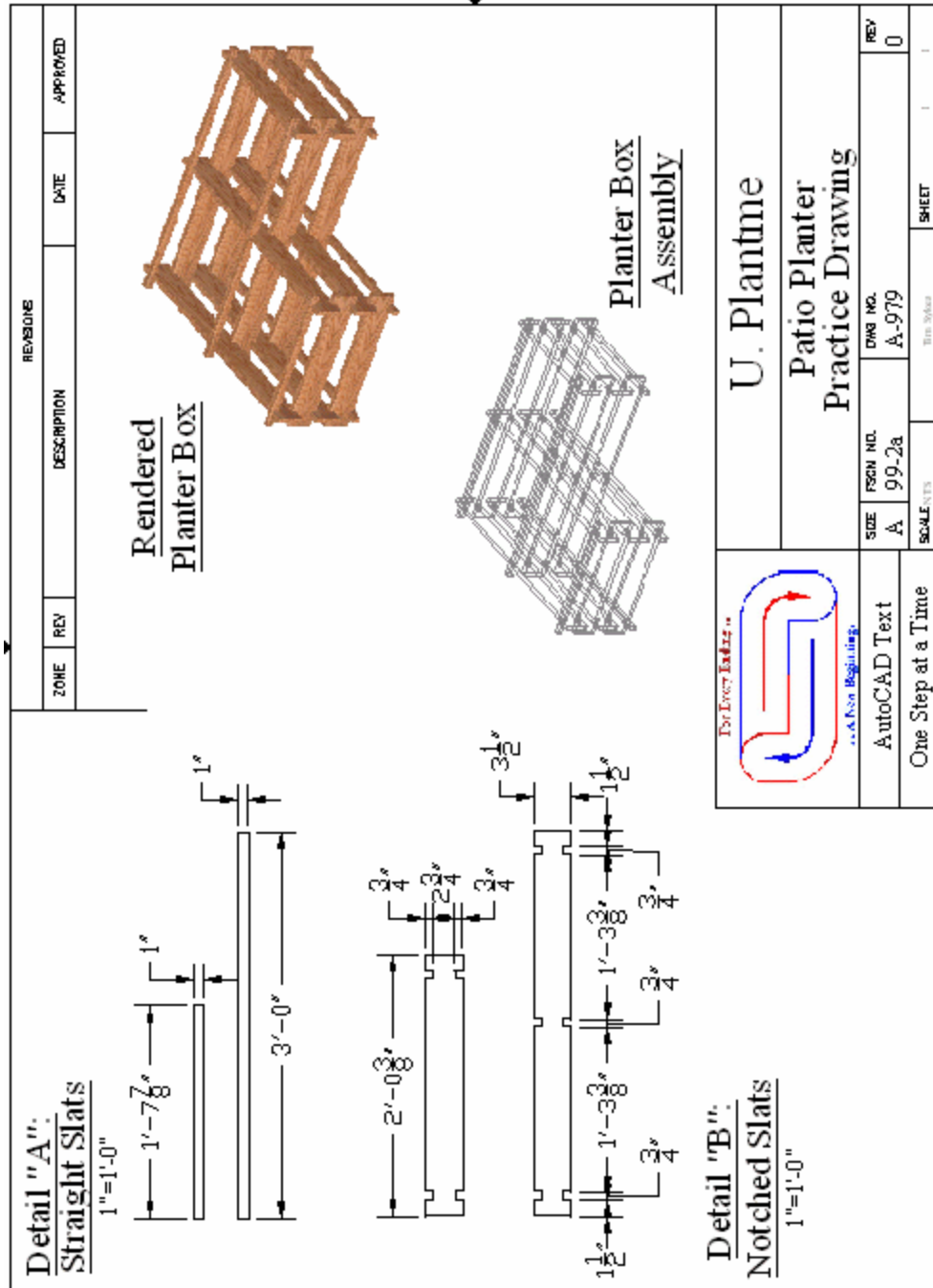
Oak Chest

4. Open the *MyPlanter.dwg* file you created in the C:\Steps\Lesson25 folder. (If that drawing isn't available, open the *planter-27.dwg* file found in the C:\Steps\Lesson27 folder.) Add the graphics shown below. Use the following guidelines:
 - 4.1. Import the rendered *planter.jpg* image from the C:\Steps\Lesson27 folder and add the text shown.
 - 4.2. Use the *logo-mini.jpg* file in the title block.
 - 4.3. Save the drawing as *MyPlanter-27.dwg* in the C:\Steps\Lesson27 folder.

REVISIONS		DATE	APPROVED
ZONE	REV	DESCRIPTION	
			
			
<u>Rendered Product</u>			
		U. Plantme Round Planter	
<u>Solid Model Practice Figure</u>			
SIZE	FROM NO.	DWG NO.	REV
A	99-1X	A-9710	0
SCALE 1:10		[Your Name]	SHEET 1 of 1

Planter

5. Open the *MyPlanterBox.dwg* file you created in the C:\Steps\Lesson25 folder. (If that drawing isn't available, open the *patio planter-27.dwg* file found in the C:\Steps\Lesson27 folder.) Add the graphics shown below. Use the following guidelines:
 - 5.1. Resize the existing viewport with the shaded image. Set the **Shademode** in that viewport to **2D**.
 - 5.2. Use the *logo.jpg* file in the title block.
 - 5.3. Save the drawing as *MyPlanterBox-27.dwg* in the C:\Steps\Lesson27 folder.



PlanterBox

6. Open the *MyTableLamp.dwg* file you created in the C:\Steps\Lesson25 folder. (If that drawing isn't available, open the *TableLamp-27.dwg* file found in the C:\Steps\Lesson27 folder.) Add the graphics shown below. Use the following guidelines:
 - 6.1. Use the *logo.jpg* file in the title block.
 - 6.2. Save the drawing as *MyTableLamp-27.dwg* in the C:\Steps\Lesson27 folder.

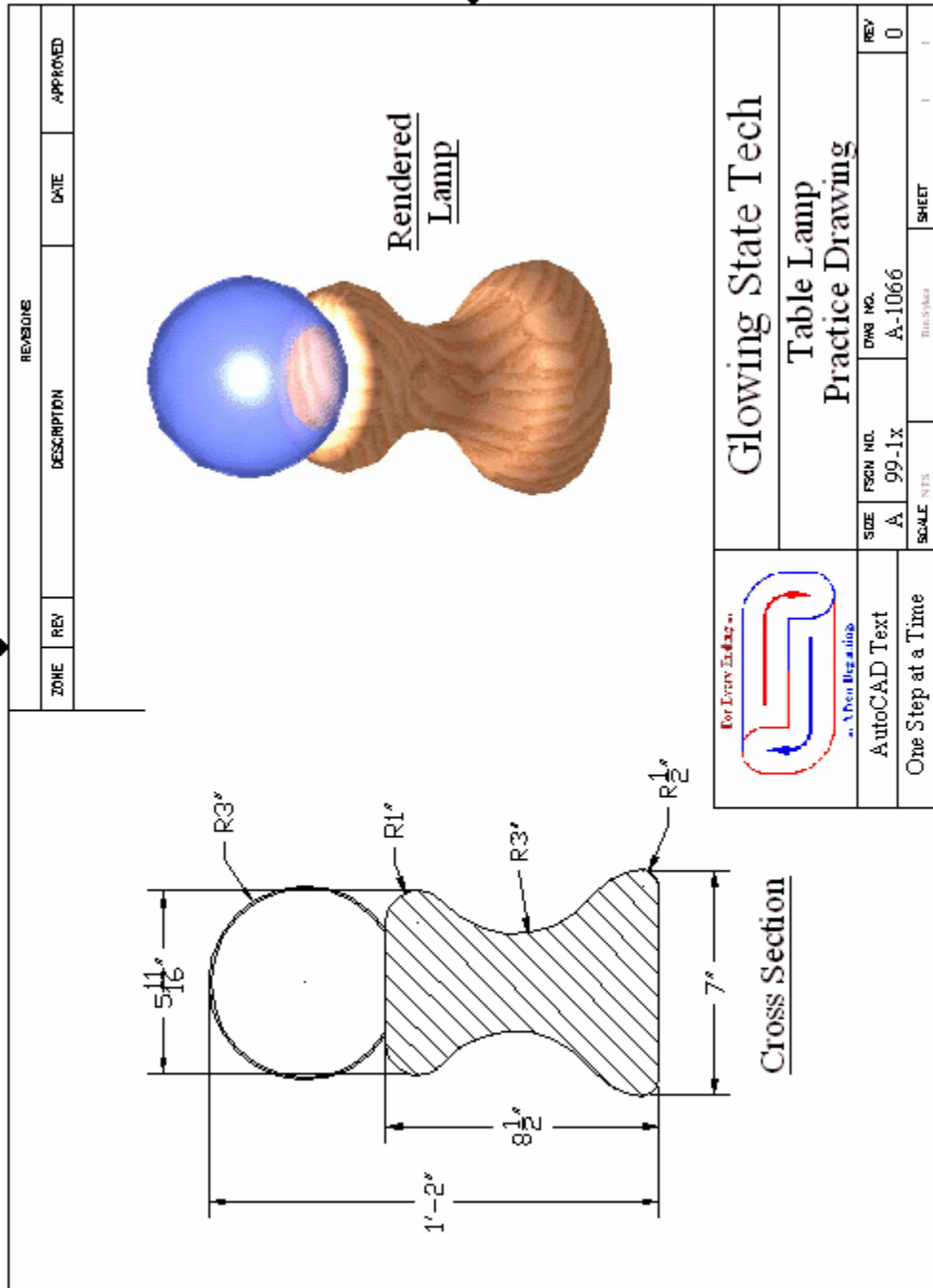
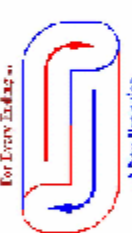


Table Lamp

		Glowing State Tech	
		Table Lamp Practice Drawing	
SIZE A	PGM NO. 99-1x	DWG NO. A-1066	REV 0
SCALE N/A		DESIGNED BY 	SHEET 1

7. Open the *MyWheel.dwg* file you created in the C:\Steps\Lesson25 folder. (If that drawing isn't available, open the *Wheel-27.dwg* file found in the C:\Steps\Lesson27 folder.) Add the graphics shown below. Use the following guidelines:

7.1. Use the *Logo-mini.jpg* file in the title block.

7.2. Save the drawing as *MyWheel-27.dwg* in the C:\Steps\Lesson27 folder.

REVISIONS			
ZONE	REV	DESCRIPTION	DATE

**Support -
Front**
3"=1'-0"

**Support -
End**
3"=1'-0"

**Wheel -
Side**
3"=1'-0"

**Wheel -
End**
3"=1'-0"

**Rendered
Product**

Wheel

		<p>AutoCAD Sample Drawing</p> <p>Caster and Wheel</p> <p>Practice Drawing</p>	
<p>AutoCAD Text</p> <p>One Step at a Time</p>	<p>SIZE A</p> <p>FIG. NO. XX-1a</p> <p>SCALE Normal</p>	<p>DWG. NO. A-1177</p> <p>THIS YEAR</p>	<p>REV 0</p> <p>SHEET 1</p>

What are the two types of graphic files associated with AutoCAD?

- 1.
- 2.
3. An AutoCAD drawing is a _____ image.
4. & 5. Vector images locate geometry by _____ and _____.
6. (T or F) The quality of a raster image is affected by screen resolution.
7. Most non-CAD programs use _____ images.
8. (T or F) A raster image may be scaled along the X- and Y-axes.
9. To select an image's frame, set the _____ system variable to **On**.
10. Use the _____ command to remove parts of an image from display.
11. Use the _____ command to alter the brightness or contrast of an image.
12. To speed display time in a drawing with graphics, set the _____ system variable to Draft.
13. (T or F) You must be sure to reset the previous system variable to High before plotting.
14. If you set the transparency value of an image to **On**, but it still isn't transparent, what is the likely cause?
15. Use the _____ command to move one object behind another.
16. What does OLE mean?
17. A _____ OLE Object maintains its ties with the OLE Server application.
18. (T or F) Both Linked and Embedded documents require the server program for editing.

You can resize an OLE Object using which two frames in the OLE Properties dialog box:

- 19.
- 20.
21. By default, the Pastespec command will (link, embed) an OLE Object into your drawing.
22. The _____ system variable controls the display of an OLE Object both on screen and when plotting.
23. Use the _____ command to sever a link between an OLE Object and an OLE Server.
24. (T or F) The OLE Server application must be loaded on the computer for an OLE Object to be visible.
25. To send your drawing file with OLE Objects to a client who does not have the OLE Server application, use the _____ button on the Links dialog box to convert the OLE Object to a picture image.
26. Setting the _____ system variable to 1 will load the OLE Server application when you plot the drawing. This will improve plot quality.

27. Typing "im" at the command prompt AutoCAD will present the
 - a) Image Manager
 - b) Image Dialog Box
 - c) Scale frame's text box.
28. (T or F) To insert a photo of the cutting table into the drawing, "iat" may be entered at the command prompt.
29. (T or F) There is no difference between an External Reference dialog box and an Image dialog box.
30. (T or F) Typing Export at the command prompt will call an Export Data dialog box from which Bitmap (*.bmp) can be selected. Using this tool, the user can export a bitmap image of the current drawing.
31. (T or F) The Options button on the Export Data dialog box is available any time it's required.
32. (T or F) It's possible to exchange information with Adobe desktop publishing programs through vector images in the PostScript files.
33. (T or F) To embed an OLE Object, clear the link check box on the Insert Object dialog box.
34. (T or F) In using the Microsoft method to link an OLE spreadsheet into a drawing, the text must be high-lighted, copied to the clipboard, then pasted into the drawing with the Paste Link command.

Answers

- | | |
|--|----------------|
| 1. Raster images | 18. T |
| 2. Vector images | 19. Size |
| 3. Vector | 20. Scale |
| 4. Definition | 21. Embed |
| 5. Coordinate | 22. Olehide |
| 6. T | 23. Olelinks |
| 7. Raster | 24. T |
| 8. F | 25. Break Link |
| 9. ImageFrame | 26. Olestartup |
| 10. ImageClip | 27. a |
| 11. ImageAdjust | 28. T |
| 12. ImageQuality | 29. F |
| 13. F | 30. T |
| 14. The type of image has no transparent value | 31. F |
| 15. DrawOrder | 32. T |
| 16. Object Linking and Embedding | 33. T |
| 17. Linked | 34. T |