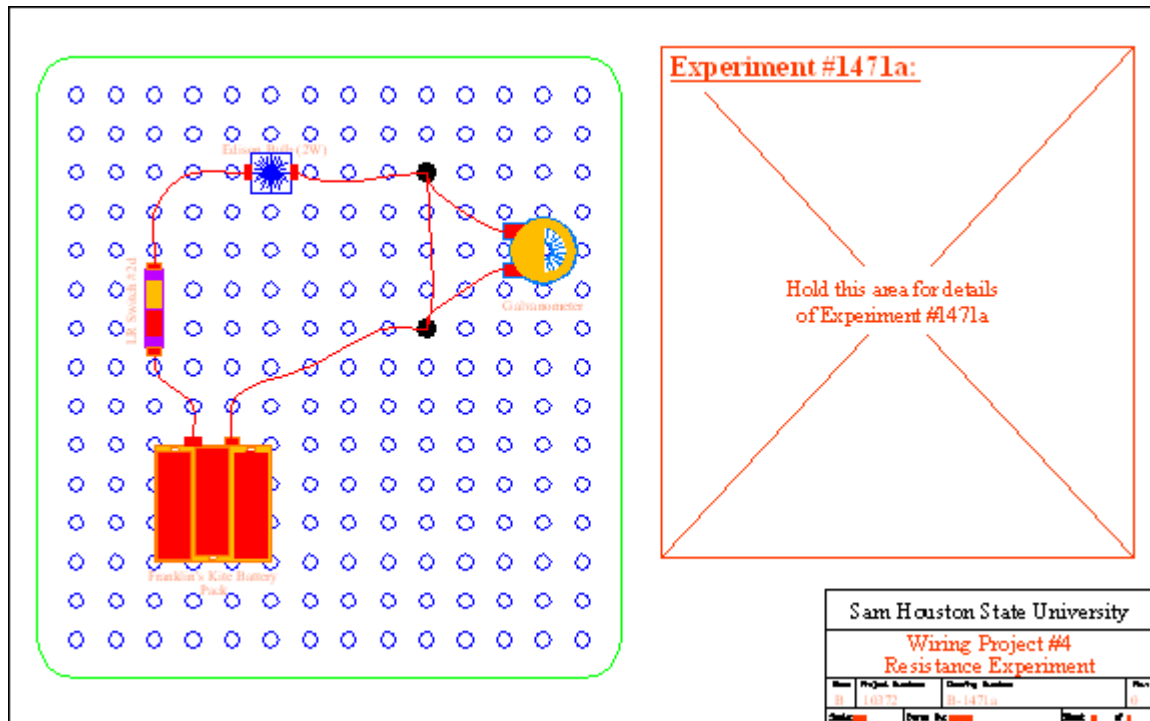


AutoCAD 2008: One Step at a Time *Lesson 26: Externally Referenced Drawings, DWFs, and DGNs*

08R26

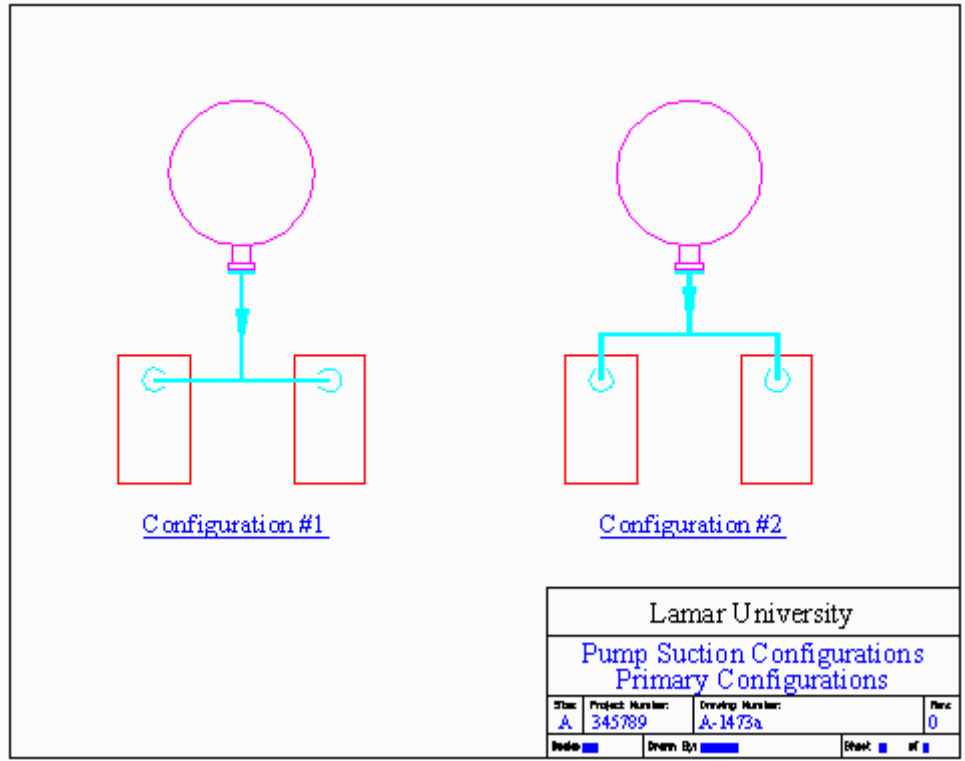
Exercises

1. Using Xrefs and DWFs whenever possible, create the drawing below.
 - 1.1. Use the following references (included in the C:\Steps\Lesson26 folder):
 - 1.1.1. *Title block*
 - 1.1.2. *Battery*
 - 1.1.3. *Lamp*
 - 1.1.4. *Galvanometer*
 - 1.1.5. *MyBoard* (you created this in Exercise 26.1.1.1) or *Board*
 - 1.1.6. *title info* (insert this as a block to use the attributes)
 - 1.2. Create layers as needed (you'll need a wire and a text layer)
 - 1.3. Save the drawing as *MyCircuit1d.dwg* in the C:\Steps\Lesson26 folder.

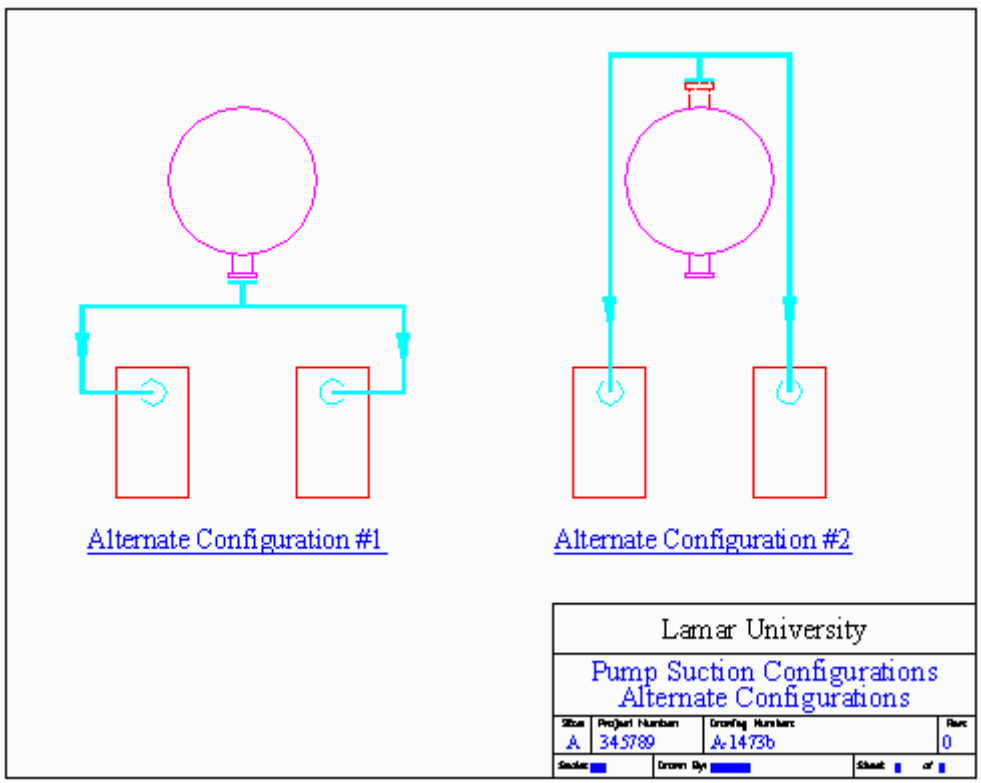


MyCircuit1d.dwg

2. Create the following two drawings, using Xrefs and DWFs whenever possible.
 - 2.1. Use the following references (included in the C:\Steps\Lesson26 folder):
 - 2.1.1. *Title block-a*
 - 2.1.2. Other drawings you might wish to create
 - 2.1.3. *title info* (insert this as a block to use the attributes)
 - 2.2. Create layers as needed (you'll need a pipe and a text layer)
 - 2.3. Save the drawings as *Pump Config 1.dwg* and *Pump Config 2.dwg* in the C:\Steps\Lesson26 folder.



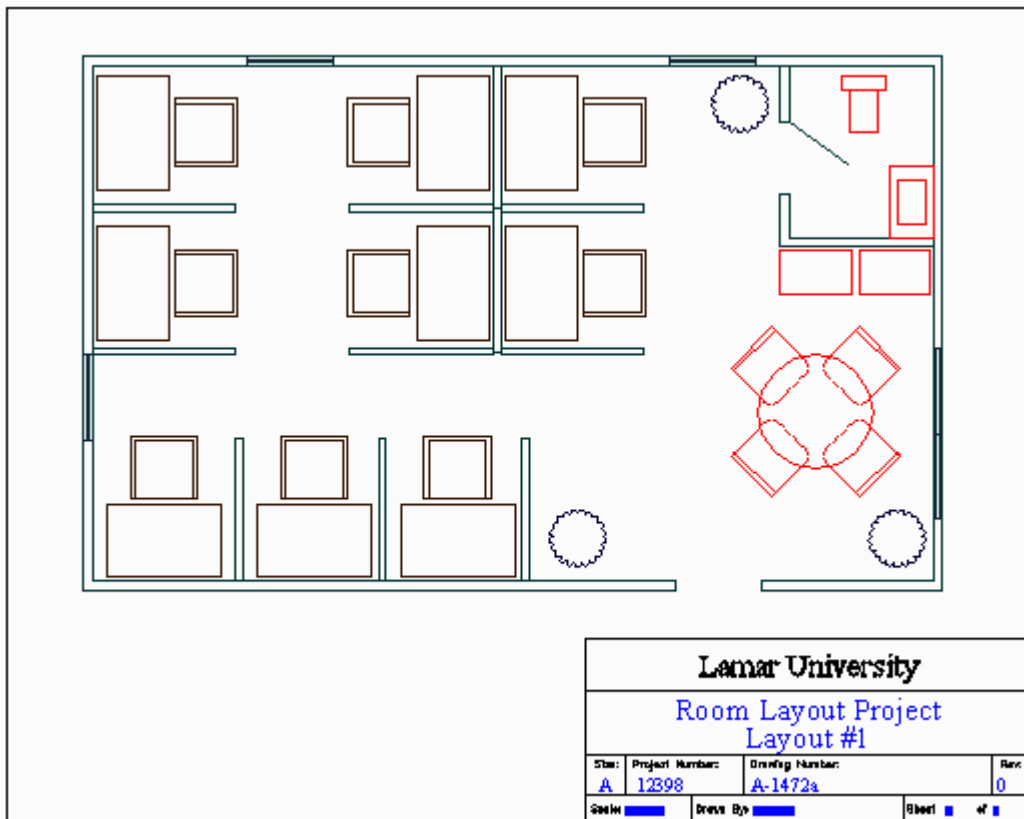
Pump Config 1



Pump Config 2

3. Create the following two drawings, using Xrefs or DWFs whenever possible.
 - 3.1. Use the following references (included in the C:\Steps\Lesson26 folder):

3.1.1. <i>Title block-a</i> (you'll need to scale it for 1/4"=1'-0" drawing on an 11"x8 1/2" sheet of paper)	3.1.5. <i>Table&chairs</i>
3.1.2. <i>Desk&chair</i>	3.1.6. <i>Vending machine</i>
3.1.3. <i>Plant</i>	3.1.7. <i>Wall panel</i>
3.1.4. <i>Room</i>	3.1.8. <i>title info</i> (Insert this as a block to use the attributes. You'll need to scale it as well.)
 - 3.2. Create layers as needed
 - 3.3. Save the drawings as *floor plan layout1.dwg* and *floor plan layout2.dwg* in the C:\Steps\Lesson26 folder.



Floor Plan Layout1

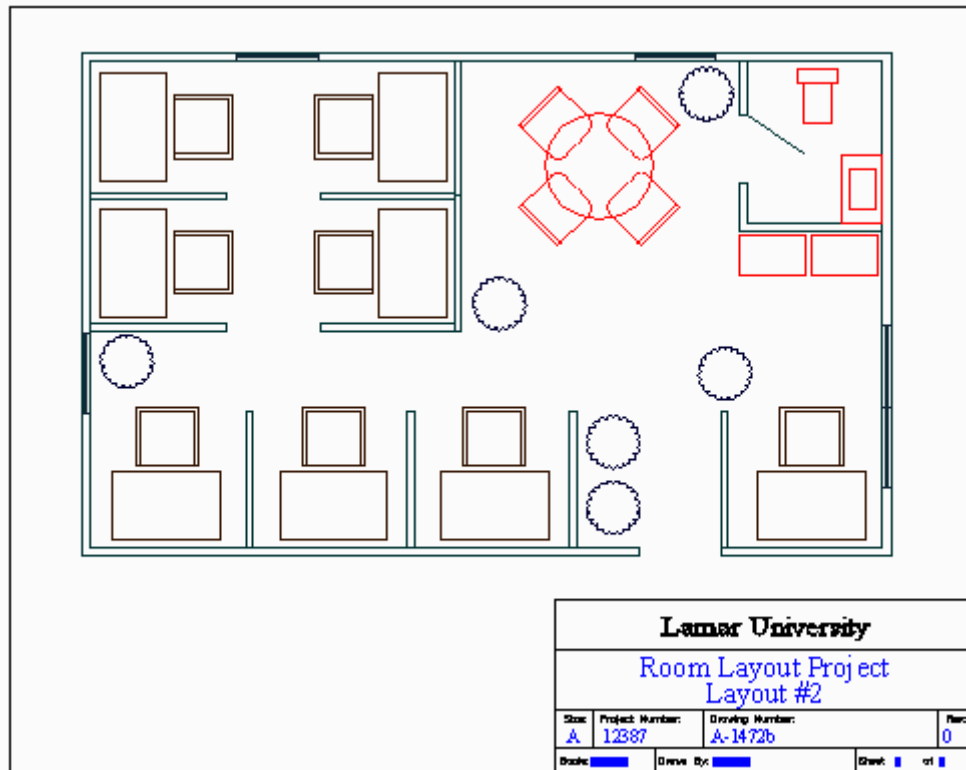
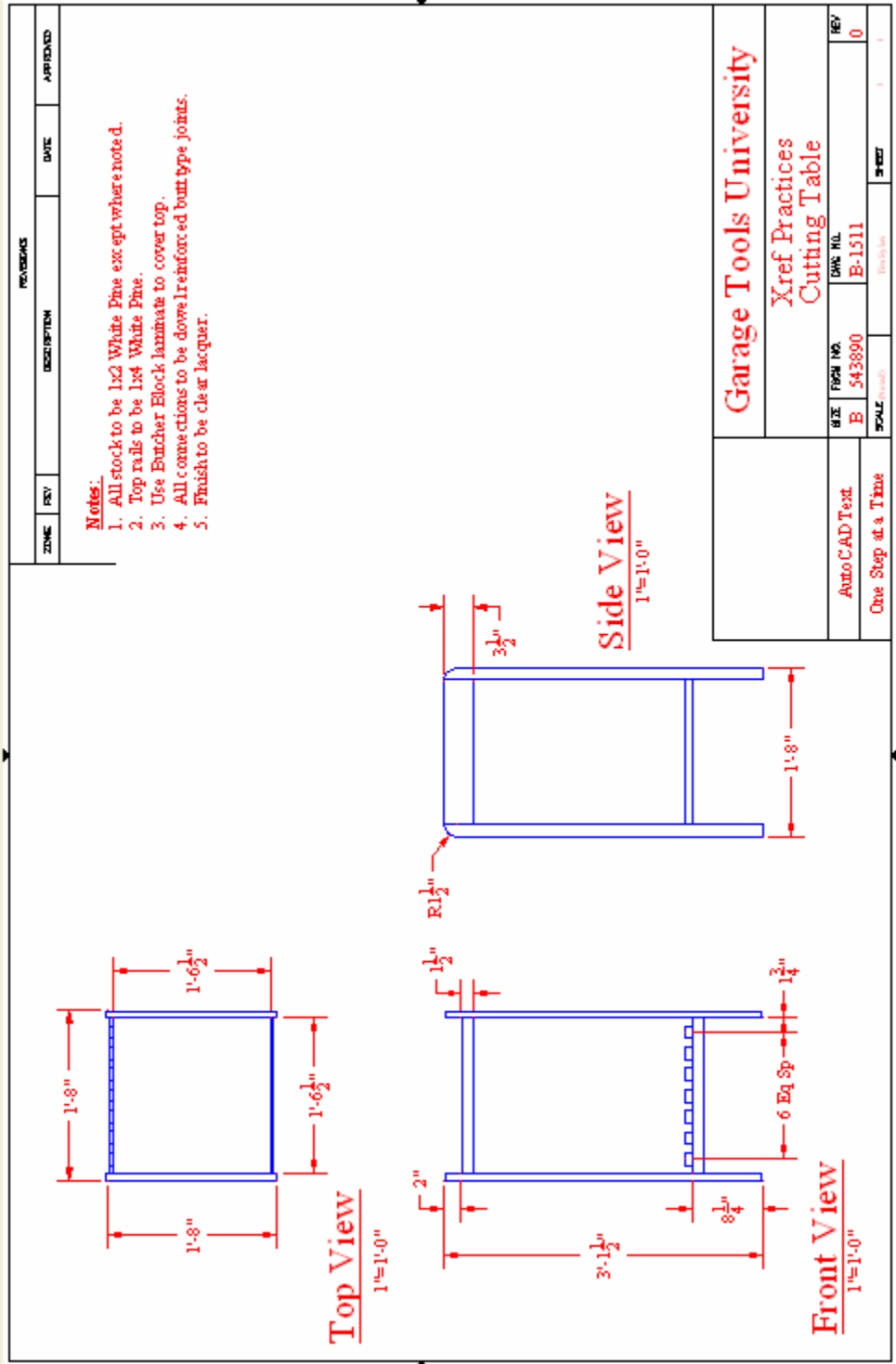


Figure 26.030: *Floor Plan Layout2.dwg*

4. Open the *cutting table.dwg* file in the C:\Steps\Lesson26 folder. Create the 11"x17" layout shown on the next page.
 - 4.1. Xref the *ANSI B* title block from AutoCAD's template folder.
 - 4.2. Create appropriate layers, text styles, linetypes, etc.
 - 4.3. Use the *title info.dwg* attributed block in the C:\Steps\Lesson26 folder to fill in the title block information.



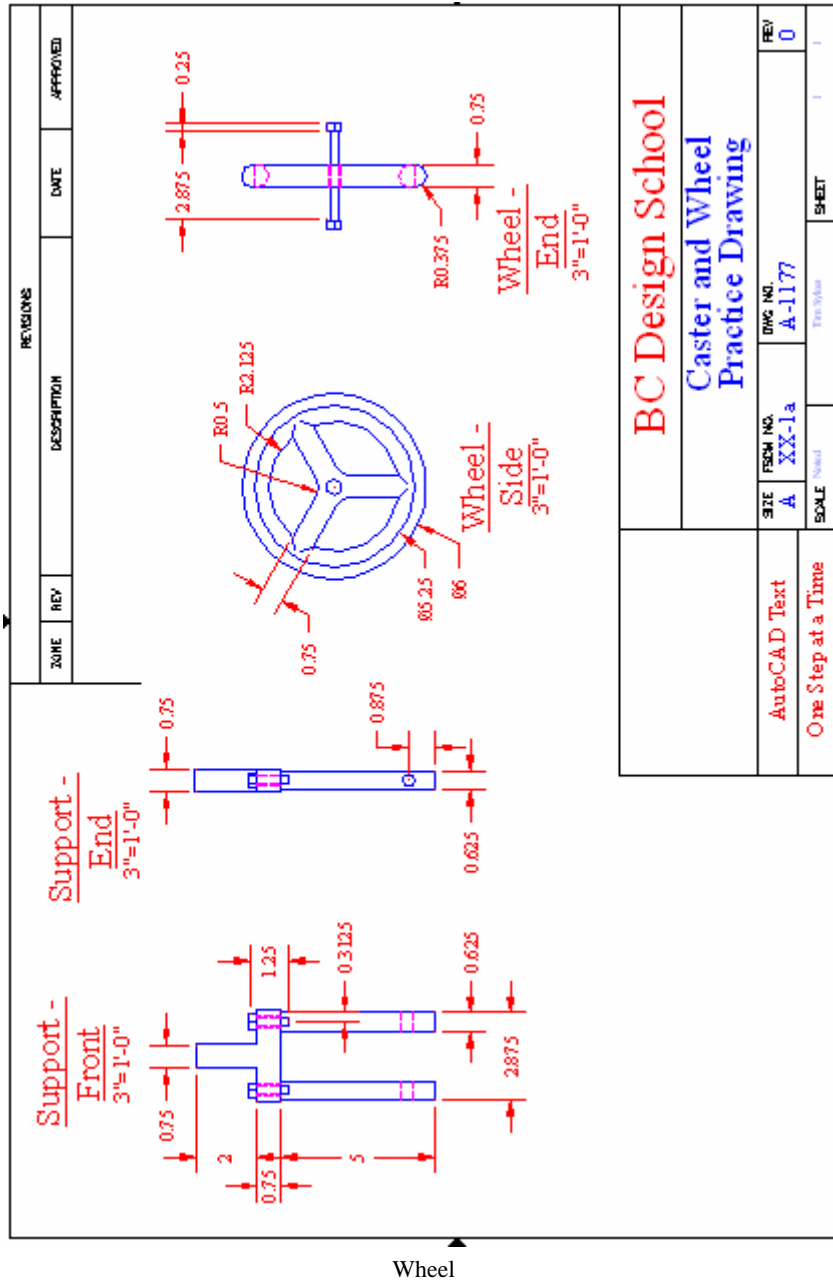
Garage Tools University

Xref Practices
Cutting Table

AnnoCAD Text	SIZE	FIG#	NO.	DWG	NO.	REV
One Step at a Time	B	543890	E-1511	B-1511	E-1511	0

Cutting Table

5. Open the *Wheel.dwg* file in the C:\Steps\Lesson26 folder. Create the 8.5"x11" layout shown.
 - 5.1. Xref the *ANSI A* title block from AutoCAD's template folder.
 - 5.2. Create appropriate layers, text styles, linetypes, etc.
 - 5.3. Use the *title info.dwg* attributed block in the C:\Steps\Lesson26 folder to fill in the title block information.



6. Open the *table lamp.dwg* file in the C:\Steps\Lesson26 folder. Complete the 8.5"x11" layout as shown.
 - 6.1. Xref the *ANSI A* title block from AutoCAD's template folder.
 - 6.2. Create appropriate layers, text styles, linetypes, etc.
 - 6.3. Use the *title info.dwg* attributed block in the C:\Steps\Lesson26 folder to fill in the title block information.

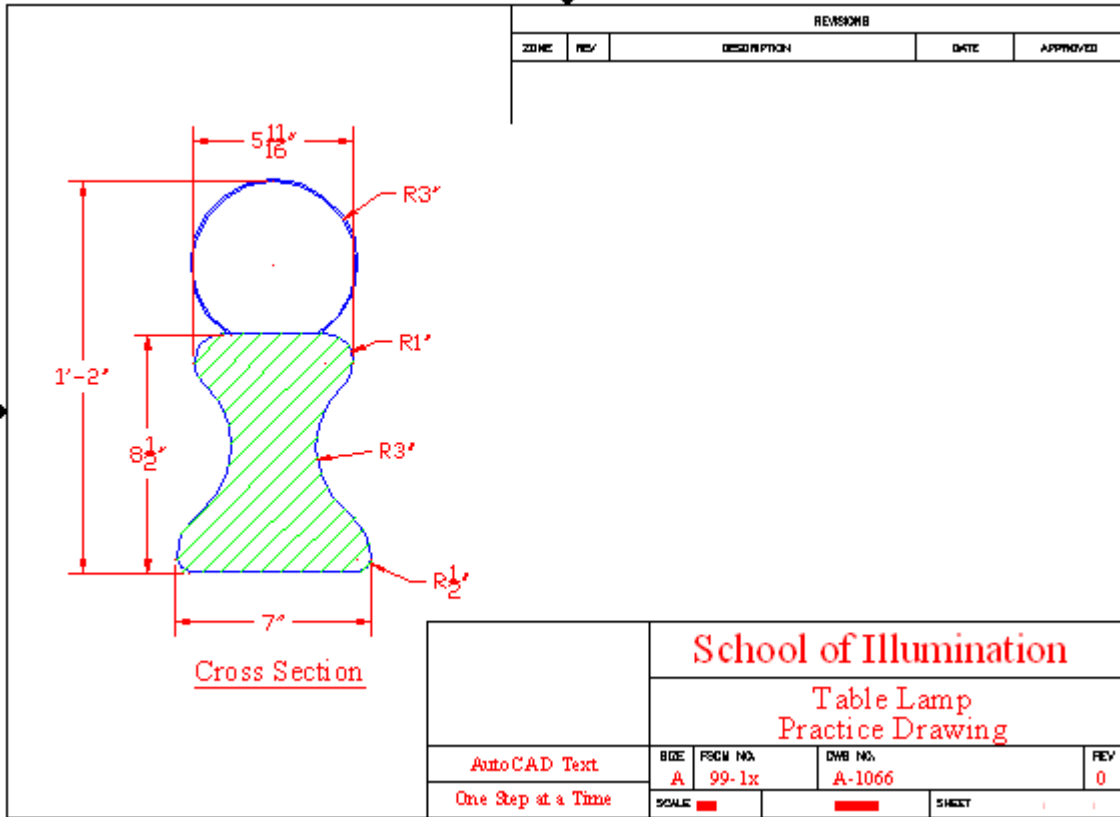
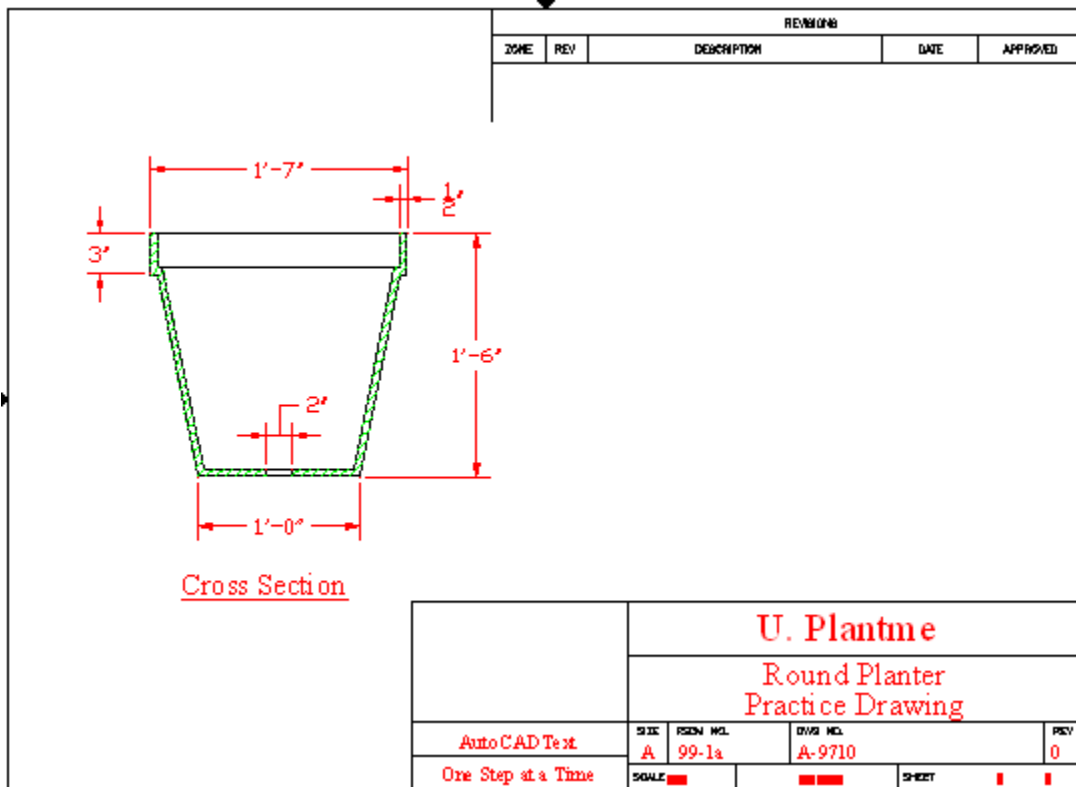


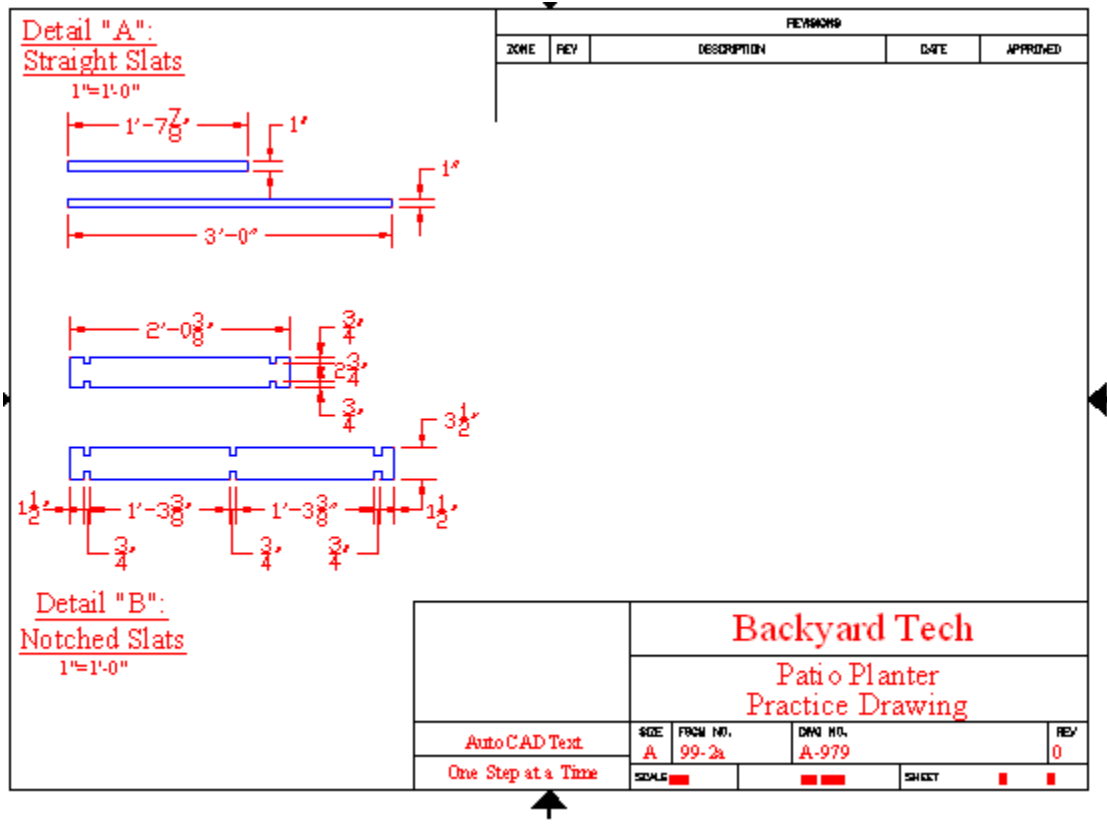
Table Lamp

7. Open the *planter.dwg* file in the C:\Steps\Lesson26 folder. Complete the 8.5"x11" layout as shown.
 - 7.1. Xref the *ANSI A* title block from AutoCAD's template folder.
 - 7.2. Create appropriate layers, text styles, linetypes, etc.
 - 7.3. Use the *title info.dwg* attributed block in the C:\Steps\Lesson26 folder to fill in the title block information.



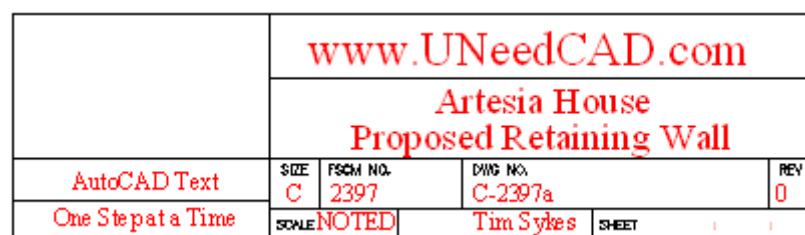
Round Planter

8. Open the *patio planter.dwg* file in the C:\Steps\Lesson26 folder. Complete the 8.5"x11" layout as shown.
 - 8.1. Xref the *ANSI A* title block from AutoCAD's template folder.
 - 8.2. Create appropriate layers, text styles, linetypes, etc.
 - 8.3. Use the *title info.dwg* attributed block in the C:\Steps\Lesson26 folder to fill in the title block information.



Patio Planter

9. Open the *OnArtesia.dwg* file in the C:\Steps\Lesson26 folder. Complete the 17"x23" layout as shown on the next page.
 - 9.1. Xref the *ANSI C* title block from AutoCAD's template folder.
 - 9.2. Create appropriate layers, text styles, linetypes, etc.
 - 9.3. Use the *title info.dwg* attributed block in the C:\Steps\Lesson26 folder to fill in the title block information. Use the information in the detail to help you.



Title Block Detail

Please write your answers on a separate sheet of paper.

1. Xref stands for _____ drawing.
2. (T or F) You cannot access attribute information from a referenced drawing.
3. (T or F) The primary drawing automatically reloads the referenced drawing whenever the primary drawing is accessed.
4. Use the Xref command to access the _____.

List and explain the six statuses that may apply to a referenced drawing:

- 5.
- 6.
- 7.
- 8.
- 9.
- 10.
11. If you can't see references that should be attached to a drawing that you have referenced (nested references), the nested references might be _____ on the drawing you have referenced.
12. (T or F) The Saved Path column of the External References palette tells you where the reference was found.
13. If a copy of the referenced drawing exists both in the Saved Path location and the folder in which the current drawing resides, which will AutoCAD use?

Use the (14) button on the External References palette or the (15) command to attach a new reference to your drawing.

- 14.
- 15.
17. (T or F) If a referenced drawing (ref "A") has a reference to another drawing (ref "B") that you do not wish to include in your primary drawing, you should detach the second reference (ref "B").
18. Which of the following layers has been bound to my drawing:
 - a) board|slots
 - b) board\$0\$slots
19. We refer to layers, blocks, text styles, dimension styles, and linetypes of a referenced drawing as _____.
20. When I bind by insertion a reference called MyBoard, it becomes a block. What is the name of the block?
21. (T or F) To use a referenced layer, simply make it current.
22. Use the _____ command to modify the view of a referenced drawing.

23. If the Clipdepth option returns this statement on the command line: *Xref must contain a clip boundary before specifying a clipdepth.*, what does it mean?
24. (T or F) You can define a clipping boundary using an existing circle or polygon.
25. To see a clipping boundary even if it isn't a polyline, set the _____ system variable to 1.
26. Use the _____ command to permanently attach only one or two dependent symbols from a referenced drawing to the primary drawing.
27. _____ on the reference type of the External References palette to change it from attach to overlay.
28. How does binding references affect the size of the primary drawing?
29. Use the _____ command to examine the properties of the current drawing.
30. To bind a nested reference, bind _____.
31. (T or F) You may attach an externally referenced drawing by entering the XAttach command or by using the Attach button in the External References palette.
32. (T or F) The user can use the External References palette to set the layer on which the Xref will reside.
33. (T or F) Xrefs can be permanently bound to the primary drawing.
34. (T or F) Use the erase command to remove clipping planes from a referenced drawing.
35. To complete a Refedit procedure, the user should
 - a) enter Refclose
 - b) save or discard the changes
 - c) both of the above
36. (T or F) To remove referenced objects from the editing session use the REFClose command.
37. (T or F) It isn't necessary to know the size of the drawing file before a reference is bound.
38. (T or F) When binding Xrefs there is little difference between Bind Bind Type and Insert Bind Type dependent symbols.
39. (T or F) There is no difference between dwg files and dwf files when it comes to Xrefs.
40. A DGN file is created by (AutoCAD, MicroStation).
41. (T or F) Attach a word document with the DOCAttach command.
42. (T or F) You can use the External Reference Palette to attach images to a drawing.
43. (T or F) The Options dialog box is the best place to experiment with your AutoCAD setup.
44. (T or F) Unlike a DWF, you can make changes to a referenced DGN file from within the primary AutoCAD drawing.

Answers

1. Externally Referenced
2. F
3. T
4. External References palette
- 5 – 10 [See Section 26.1.1, p. 621]
12. Overlain
13. F
14. The one in the Saved Path location
15. Attach dwg
16. XAttach
17. F
18. b
19. Dependent Symbols
20. MyBoard
21. F
22. Xclip
23. You must have a 2-dimensional boundary defined before using the Clipdepth option
24. T
25. XClipFrame
26. Xbind
27. Double-click
28. Increases it
29. Dwgprops
30. Its primary drawing
31. T
32. F
33. T
34. F
35. c
36. F
37. T
38. F
39. F
40. Microstation
41. F
42. T
43. F
44. F